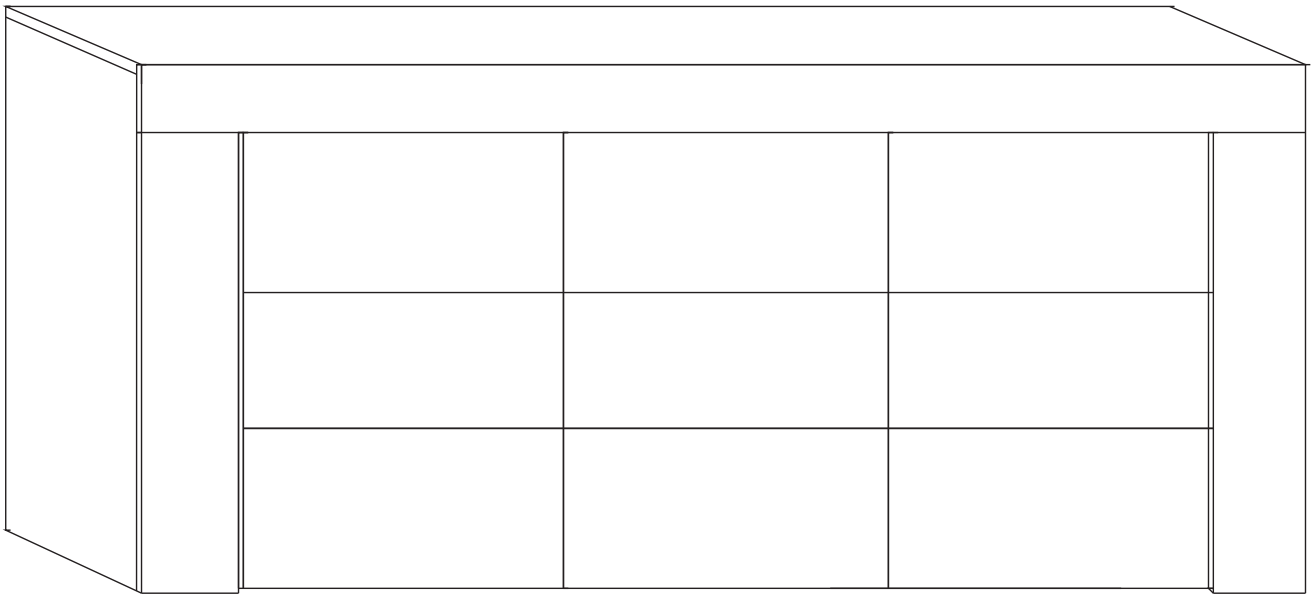
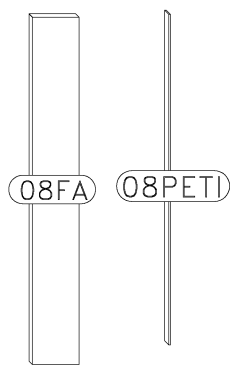
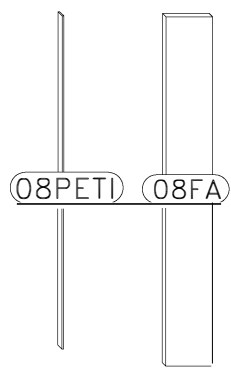
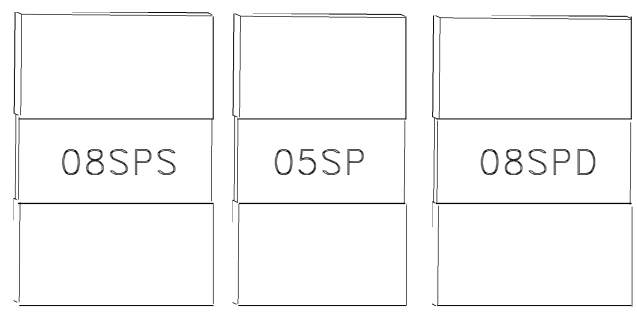
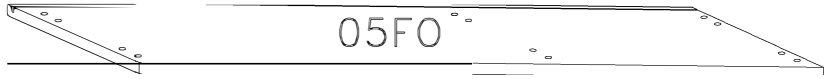
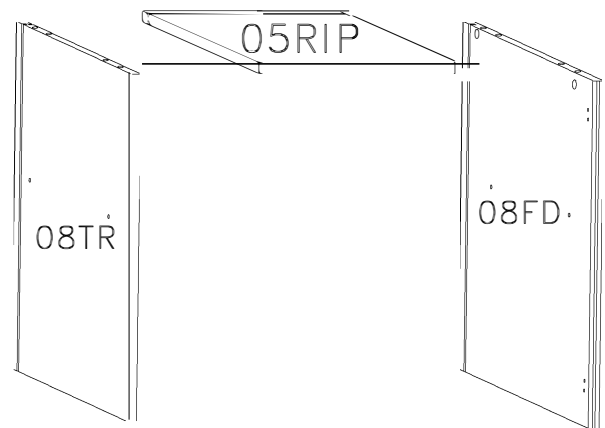
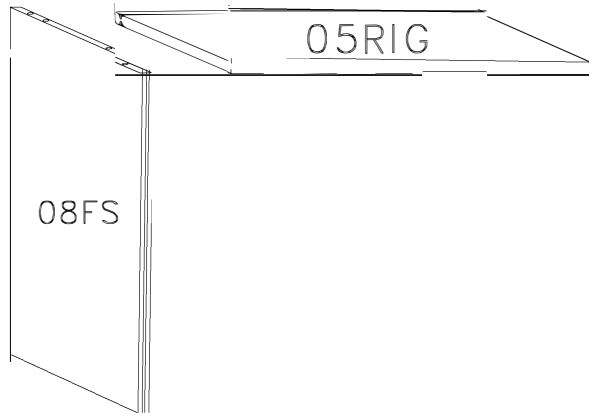
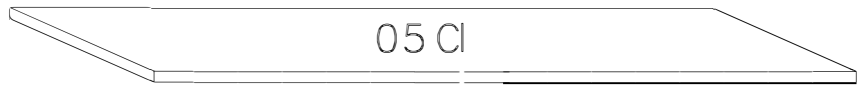
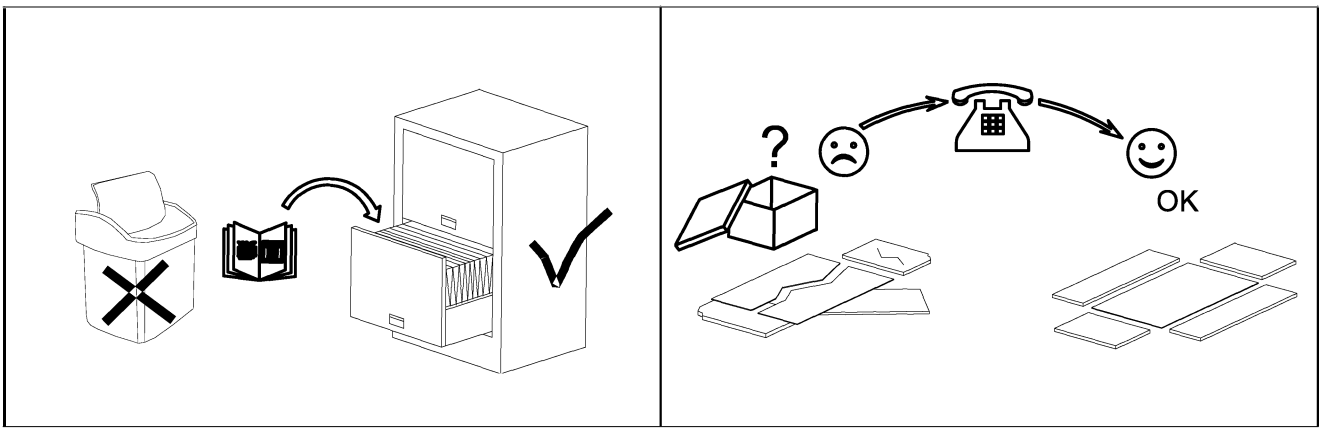
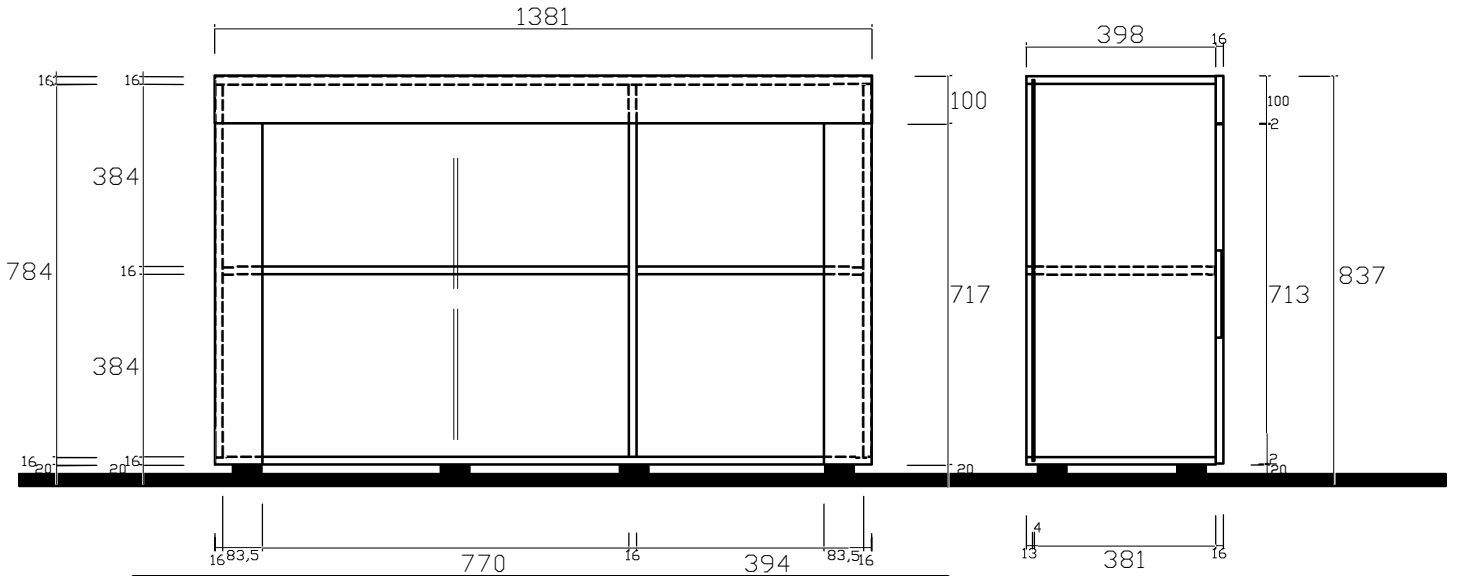


120 Min.







209071-08CF

A		L45x30		x5
		x20	4.5x30 mm.	
B		L3		x24
	8x30 mm.	x17 P	4x18 mm.	
C		P1		x4
	∅16 mm.	x7		
D		P7		x1
		x7		
E		R		x8
	7x60 mm.	x6		

200505-08CC

H4E		x4
CC		x4
L2		x8
	4x16 mm.	

521030-01CC

H2T		x2
C8		x2
L2		x4
	4x16 mm.	

F21 **205124-06PIE**

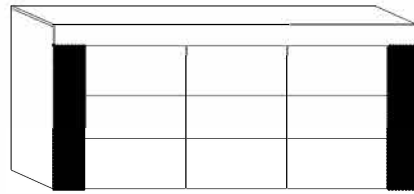
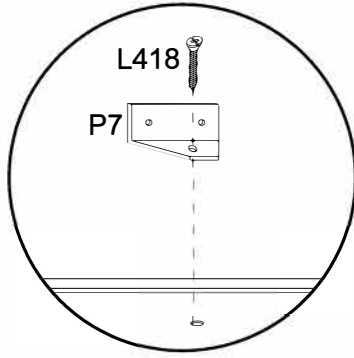
	x5
∅ 60 mm	
h 20 mm	

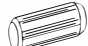

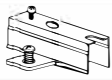

M2 **509080-01CM**

	x4
3x16 mm.	
S10	
	x2



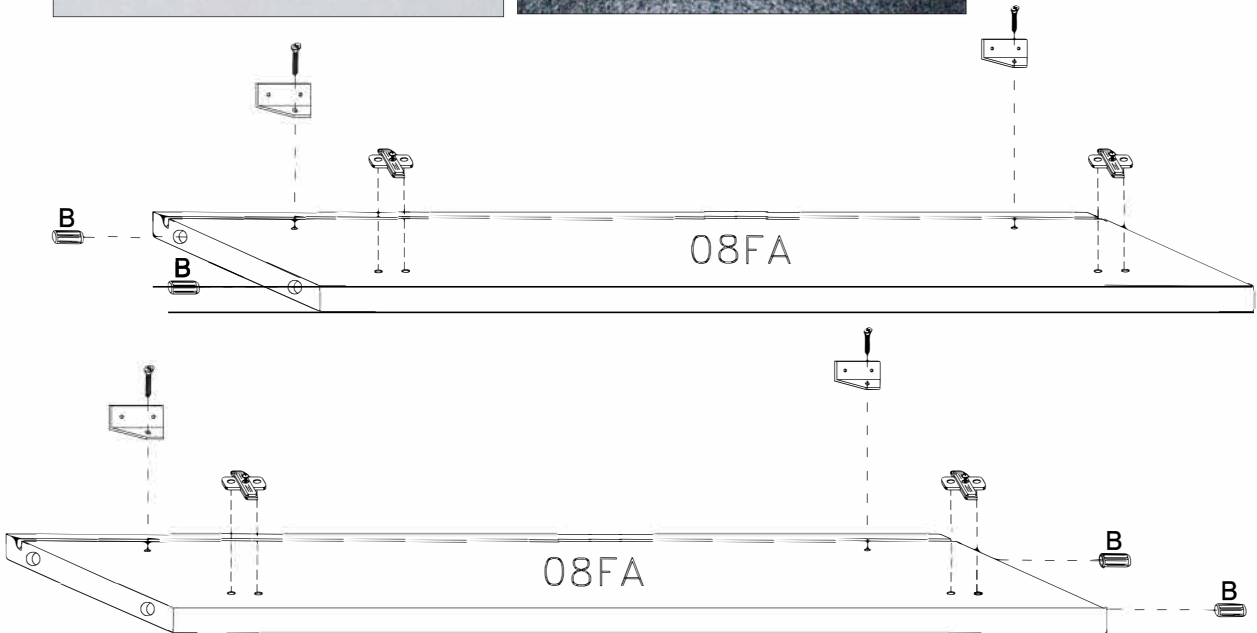
1



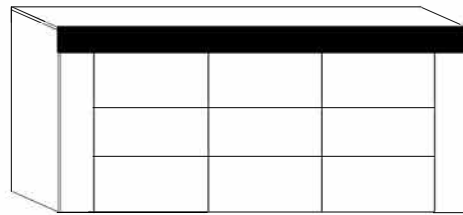
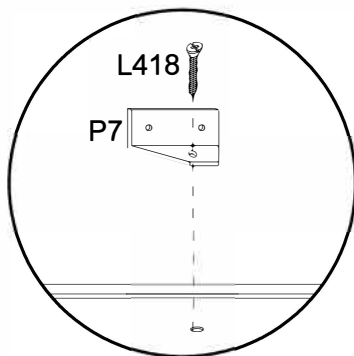
- B**  8x30 mm. **x4**
- L418**  4x18 mm. **x4**
- H4E**  **x4**
- P7**  **x4**


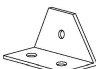


H4E



2

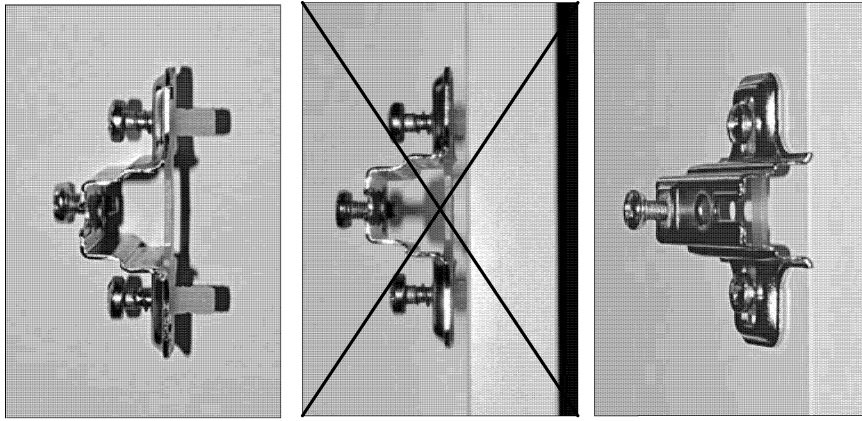


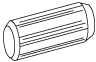
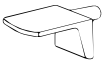
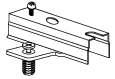
- L3**  4x18 mm. **x4**
- P7**  **x4**

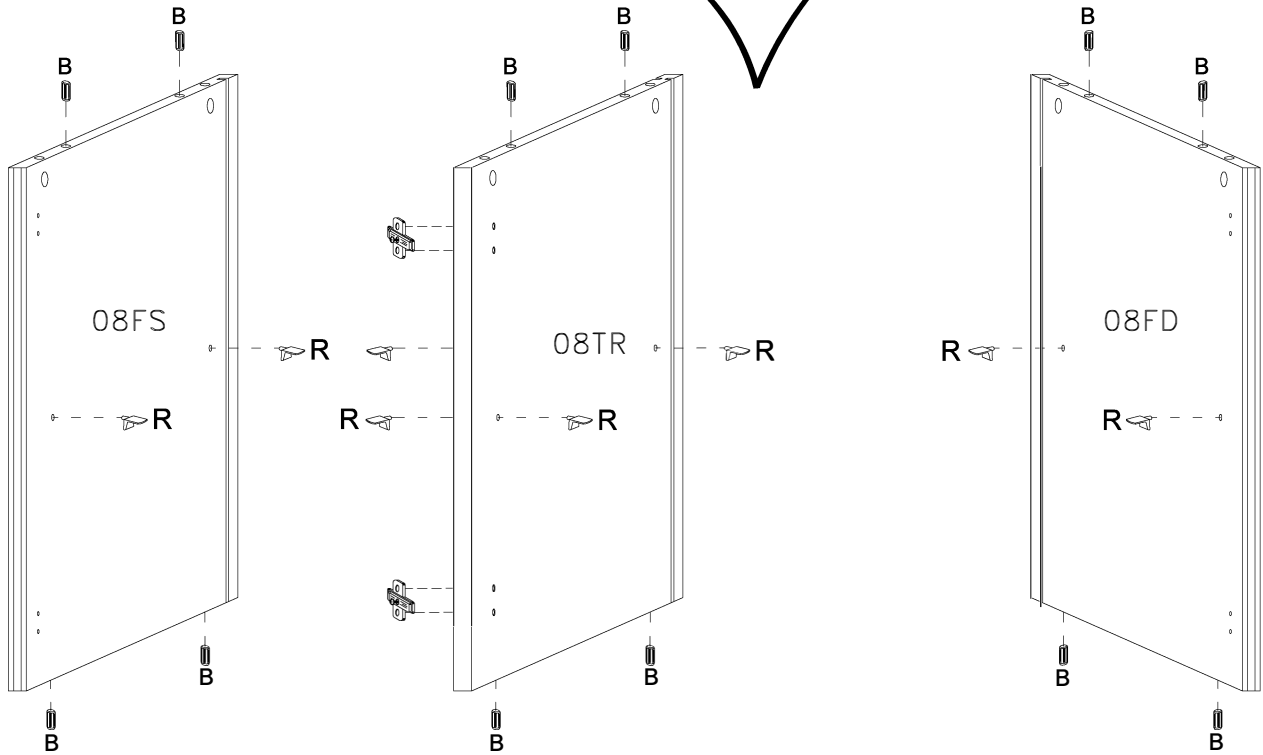


3

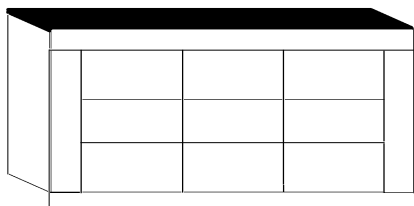
H2T




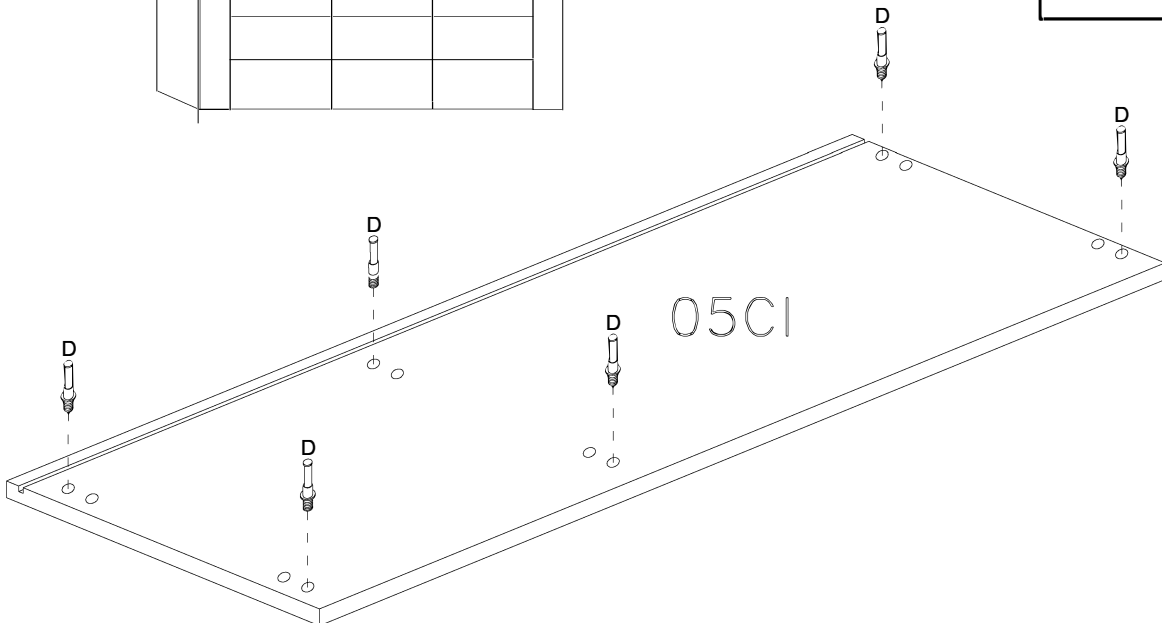
B		x12
R		x8
H2T		x4



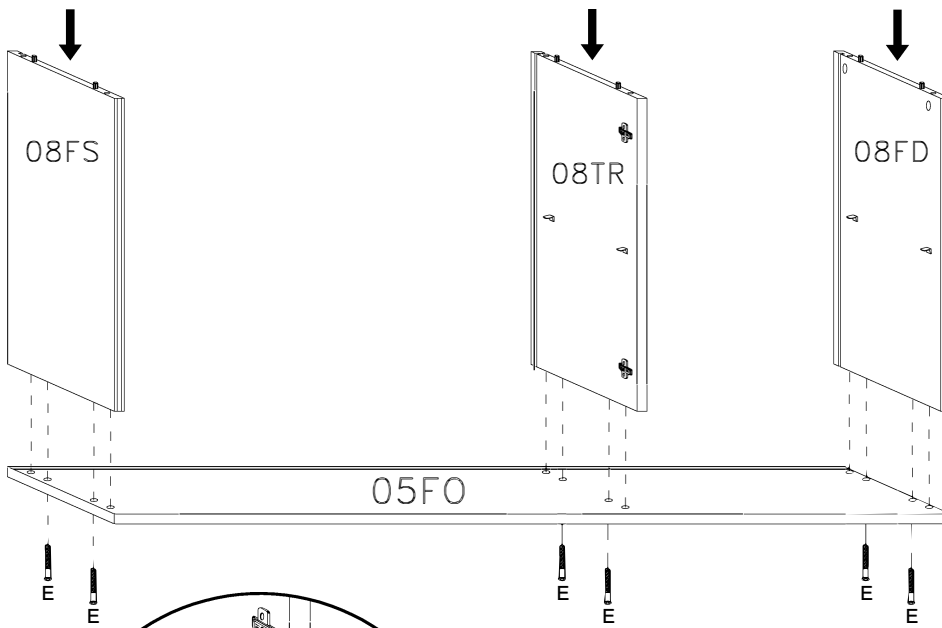
4


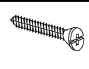



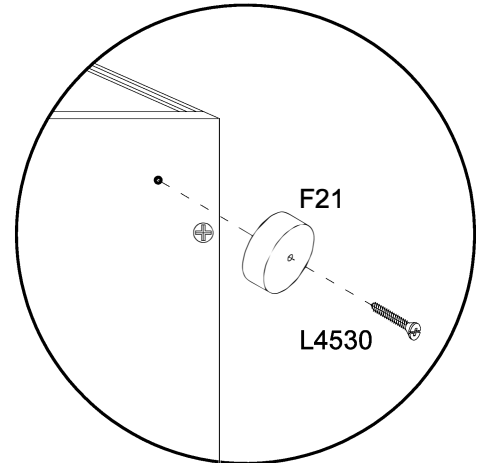
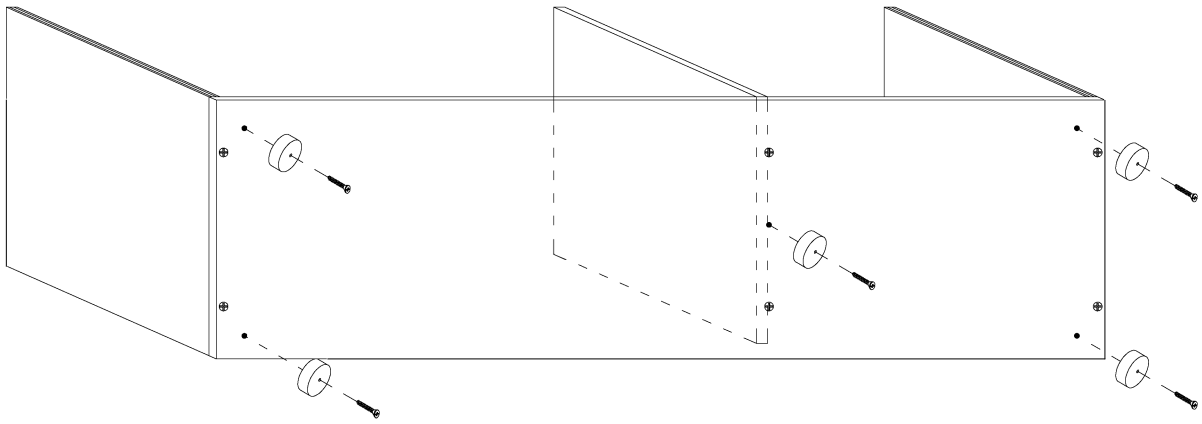
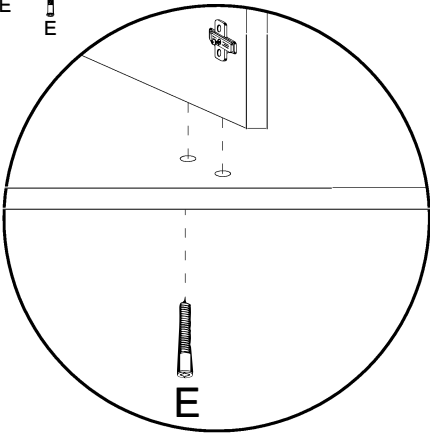
D		x6
----------	---	-----------



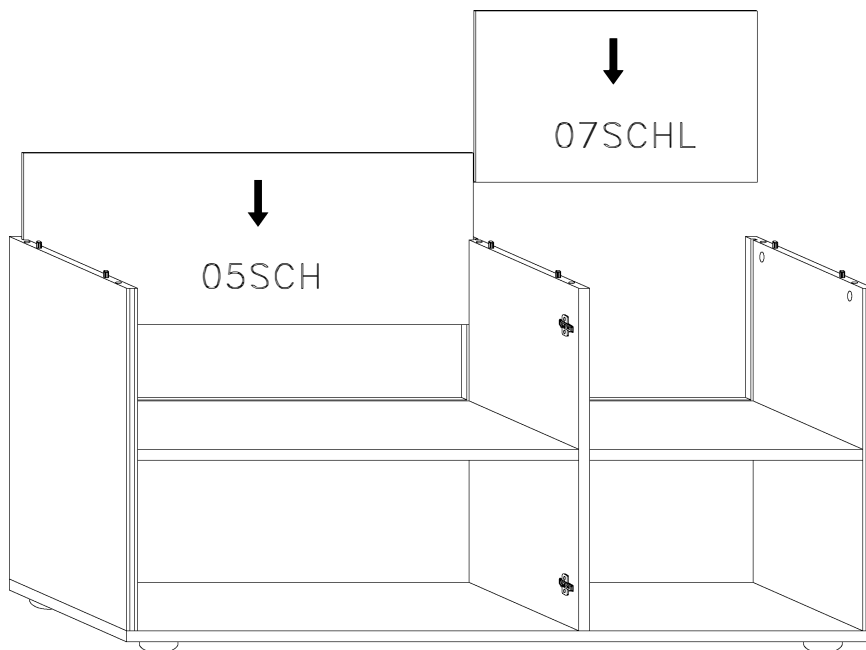
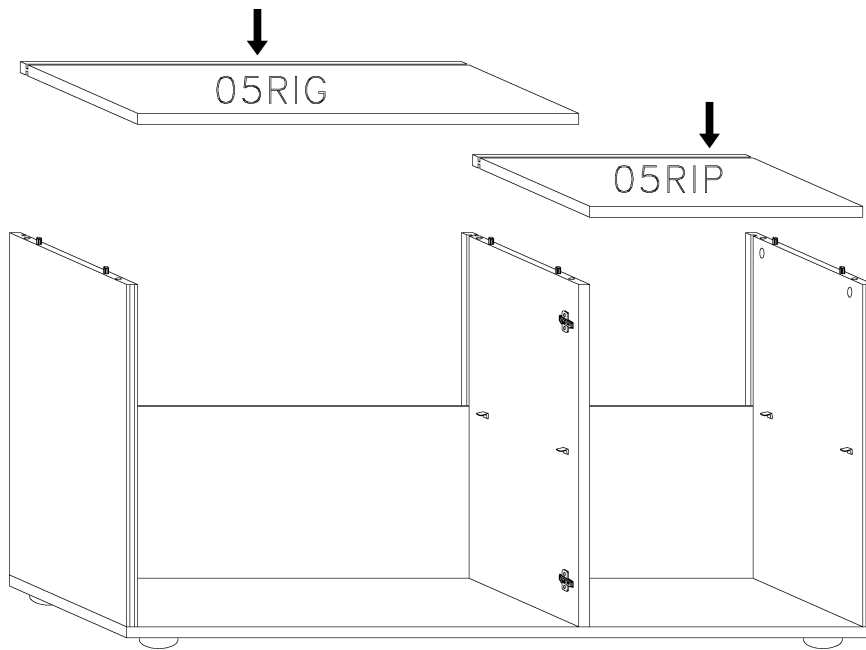
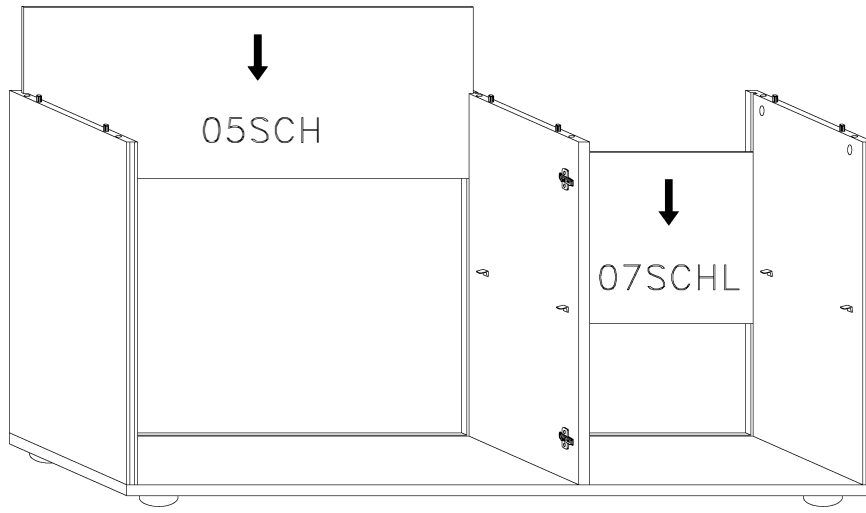
5



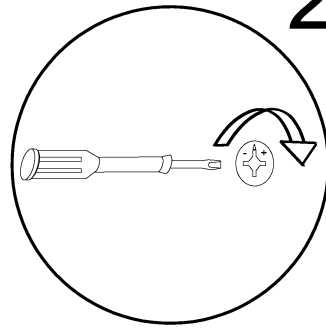
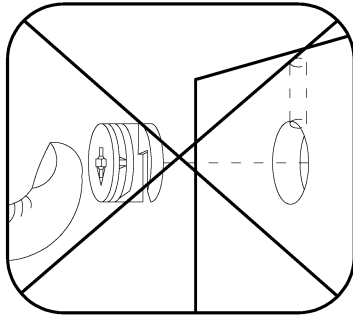
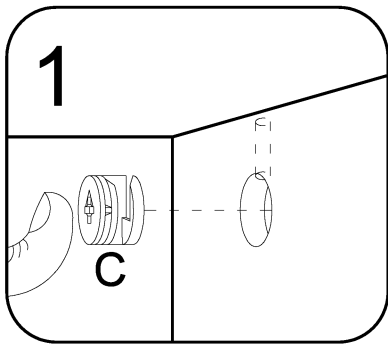
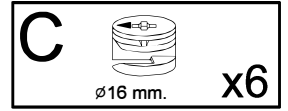
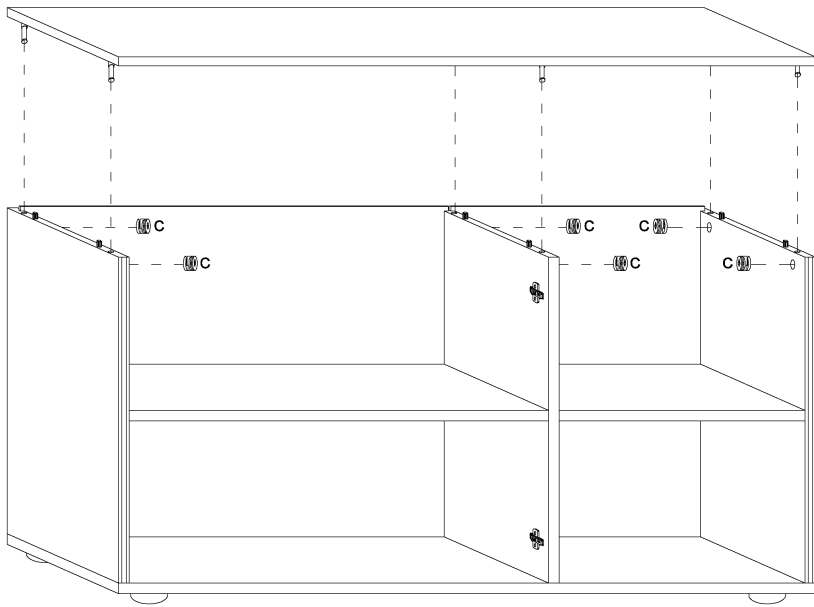
E  7x60 mm. x6
L4530  4.5x30 mm. x5
F21  Ø 60 mm h 20 mm x5



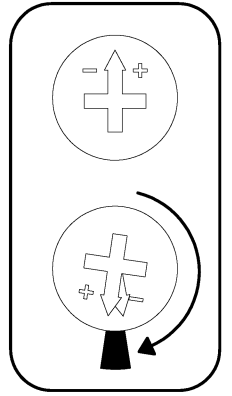
6



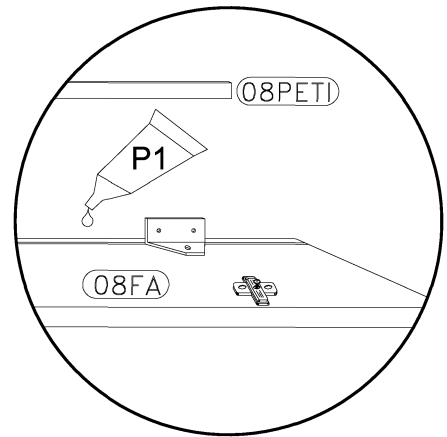
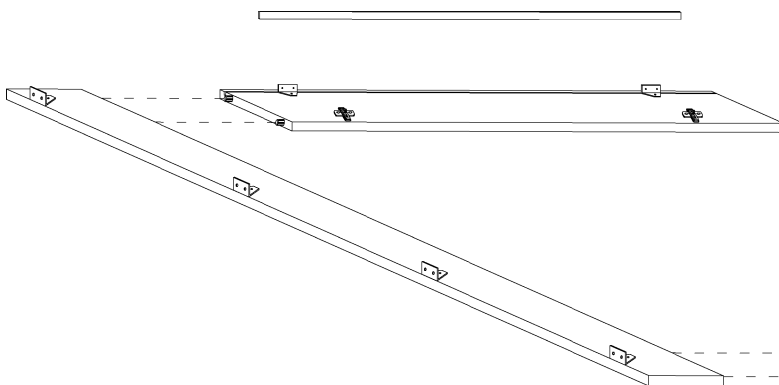
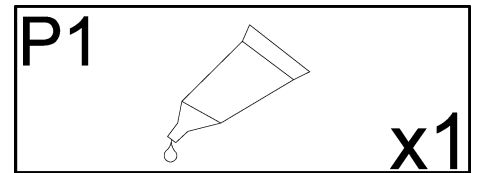
7



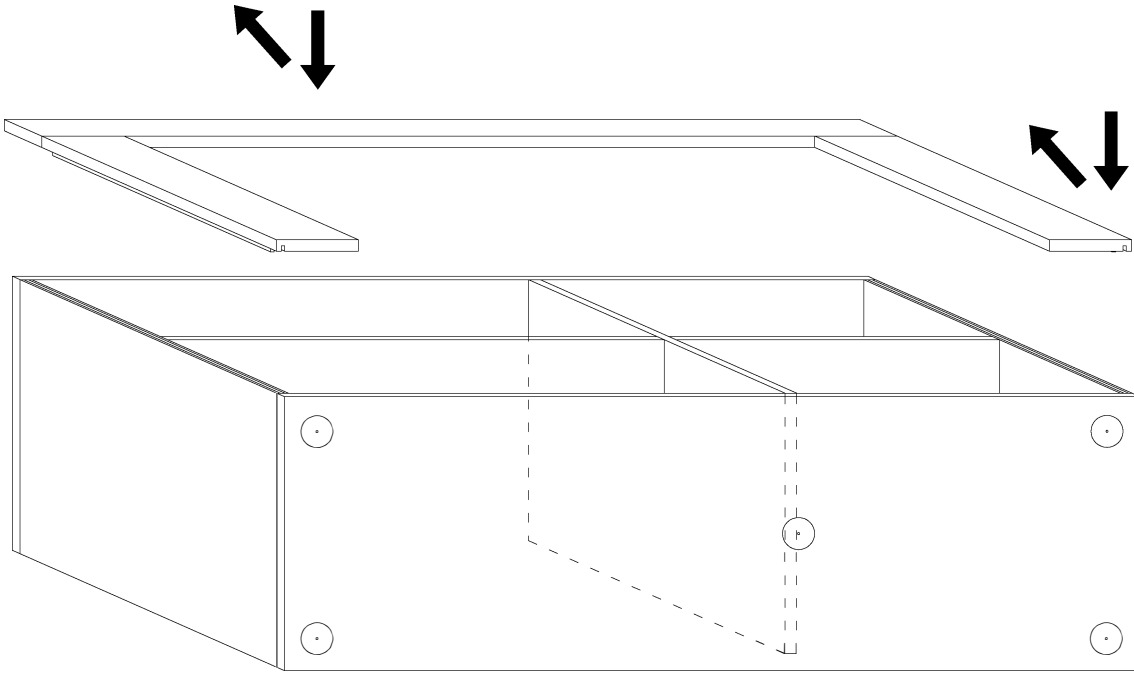
2



8

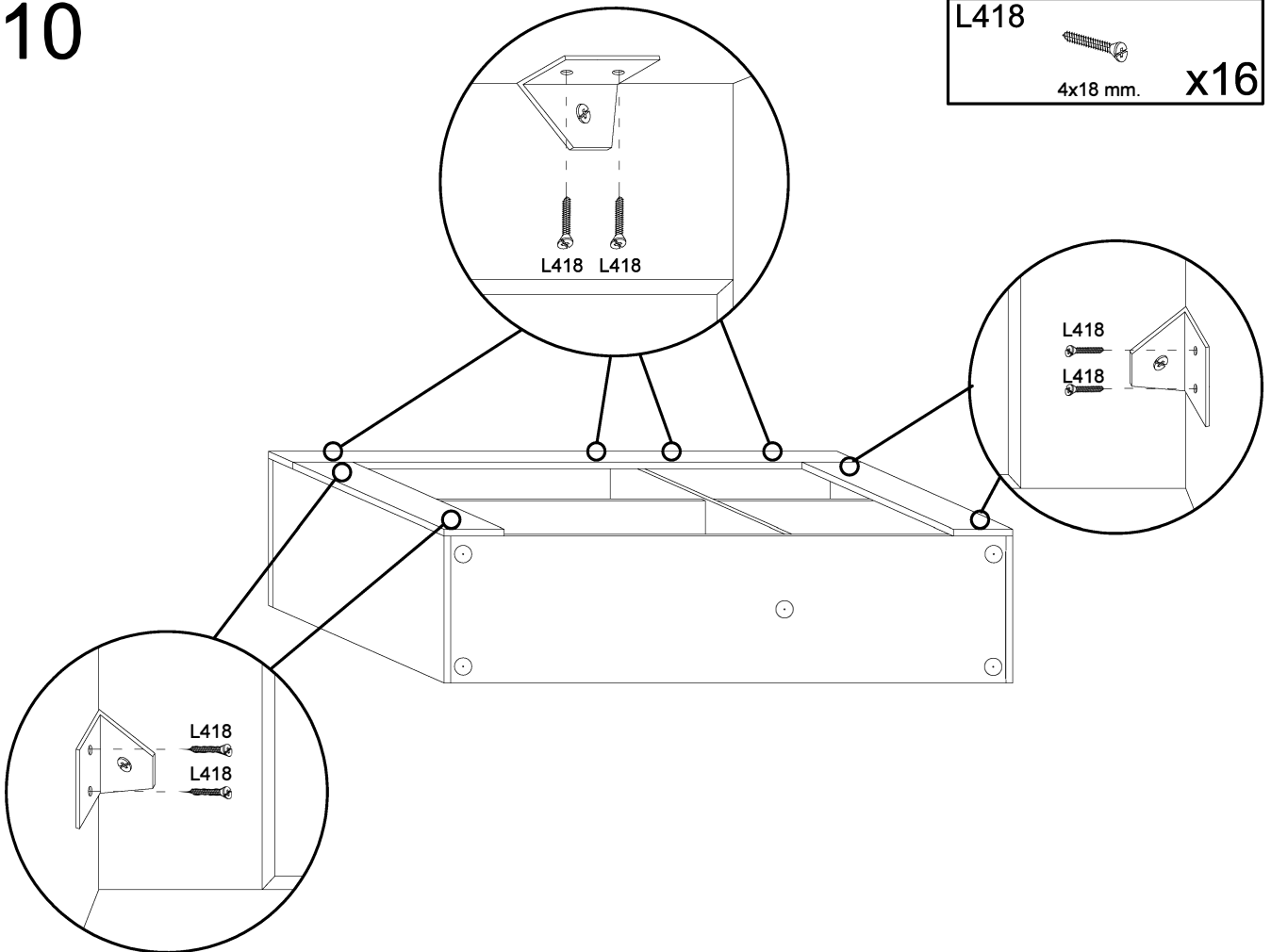



9

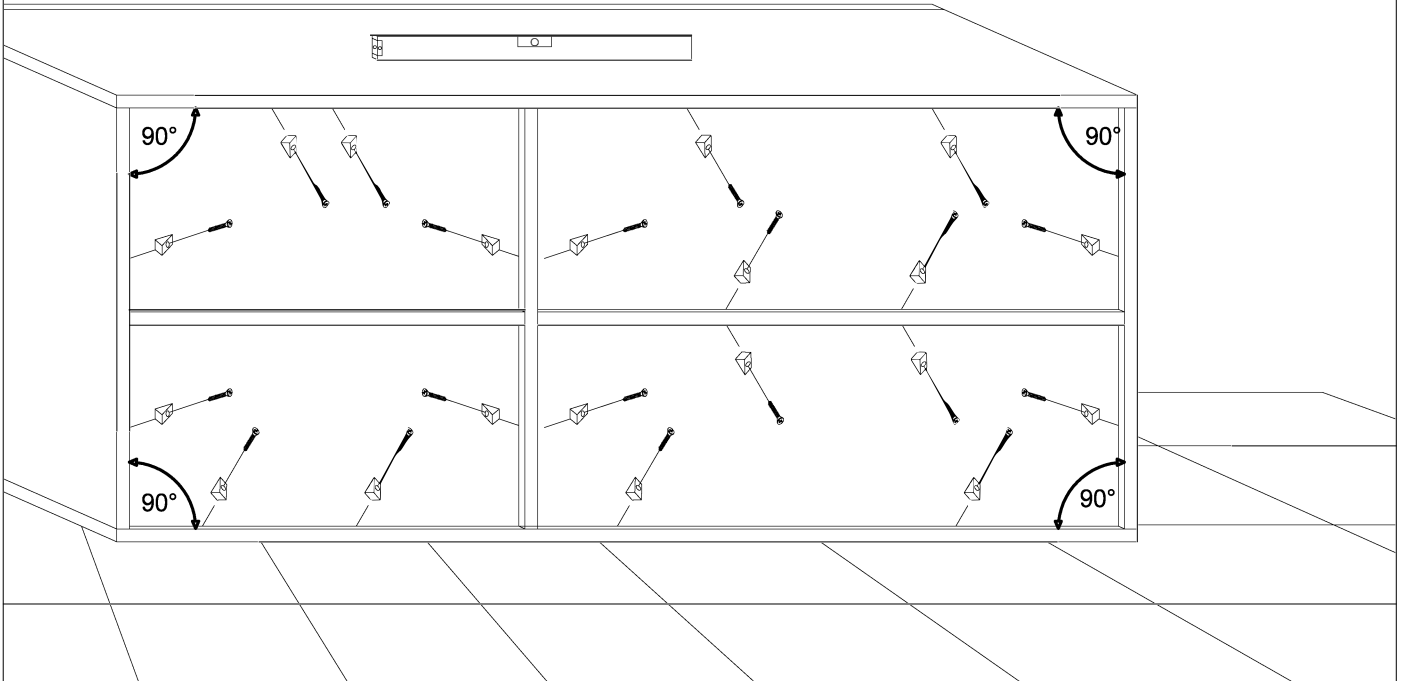
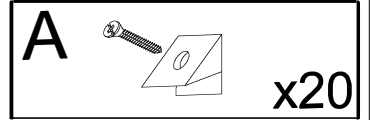
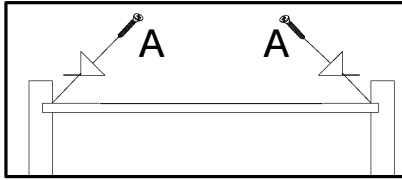


10

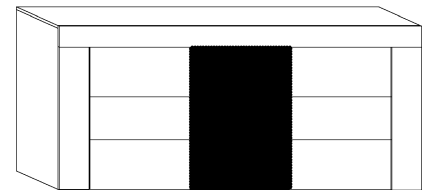
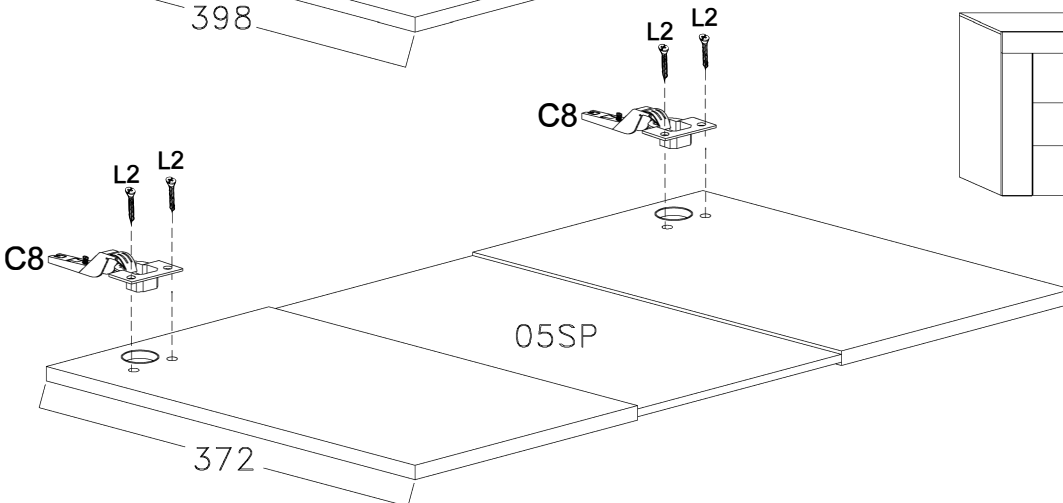
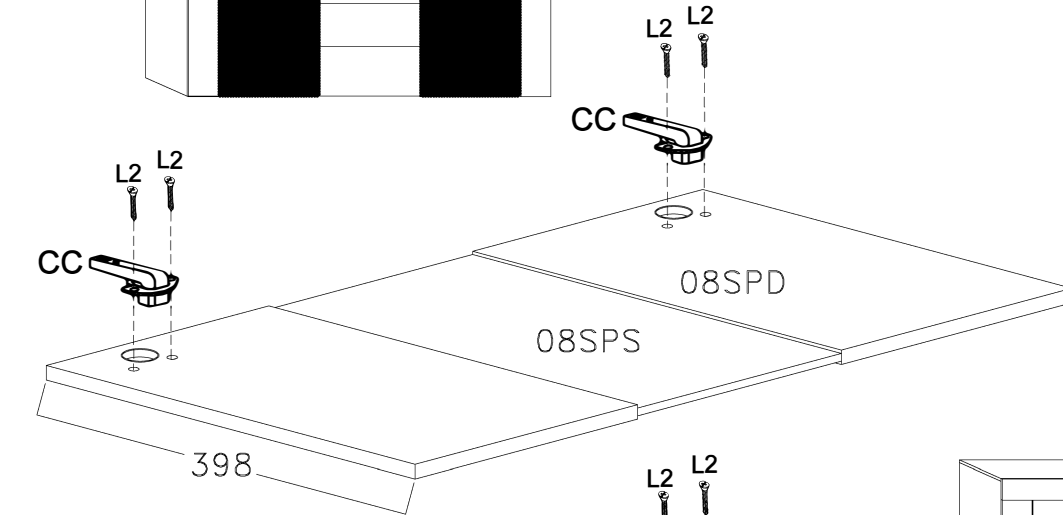
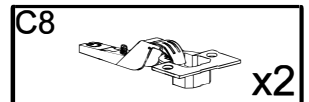
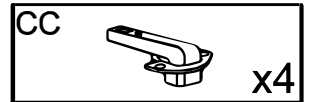
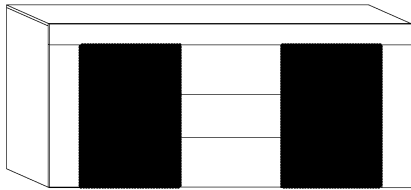
L418
4x18 mm. x16



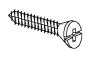

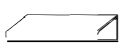
11

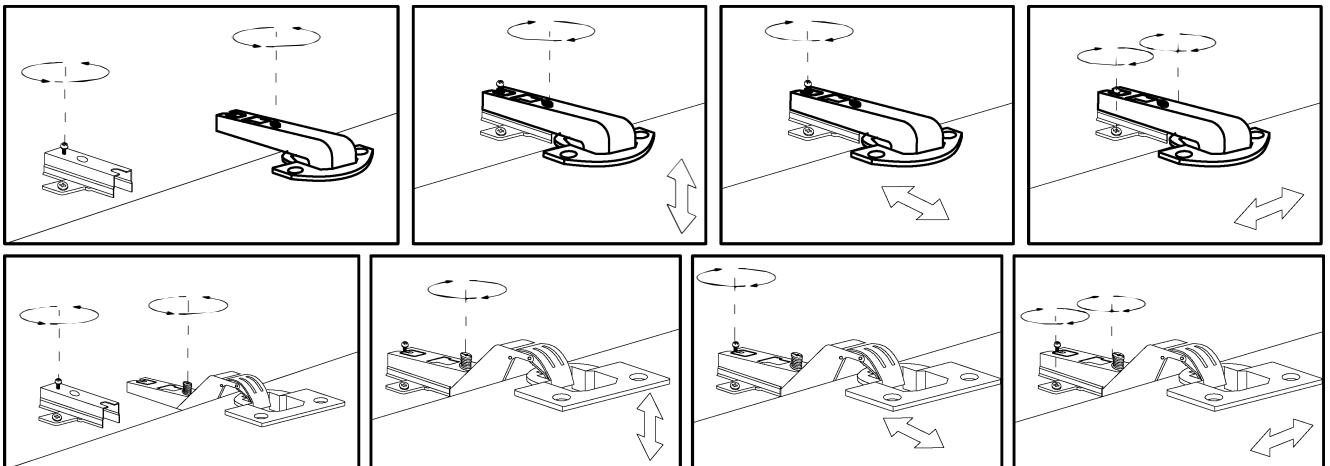
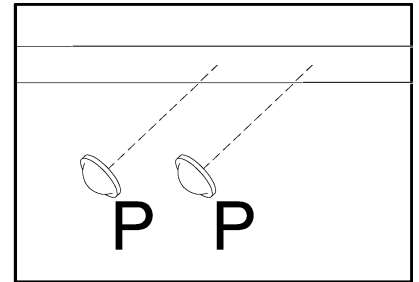
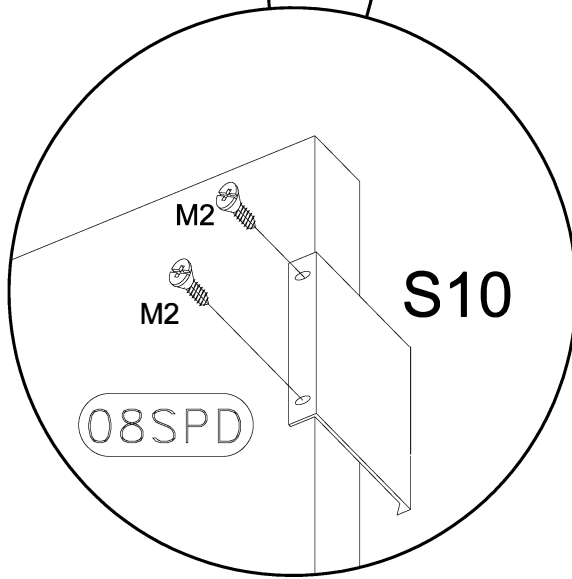
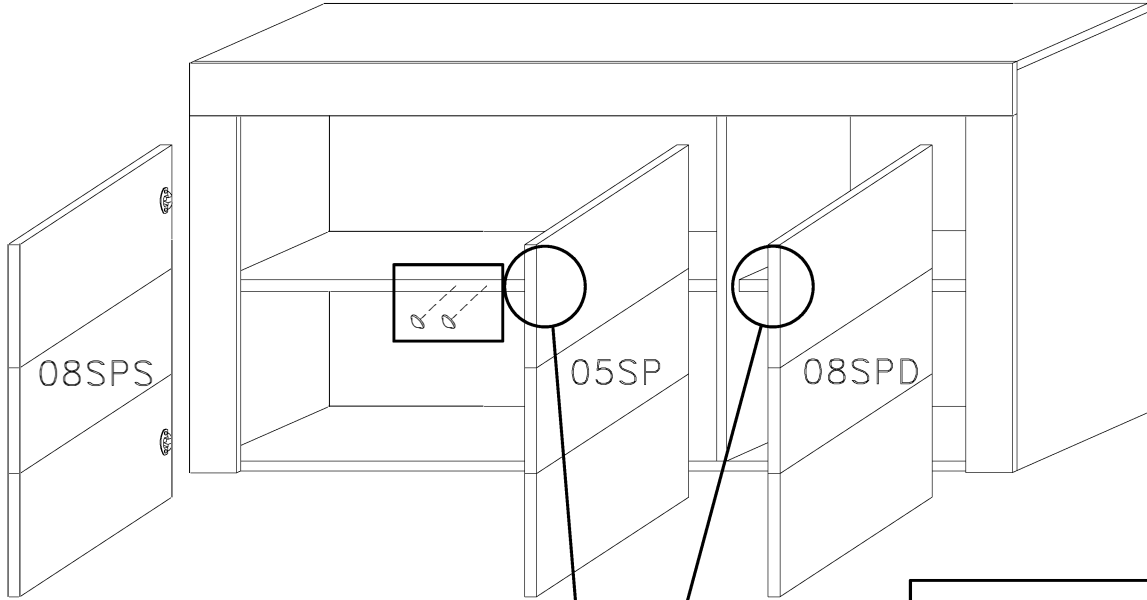


12

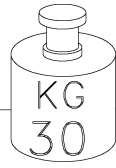


13

M2		P	
	3x16 mm.	x4	x4
S10		x2	



MAX



MAX



MAX

